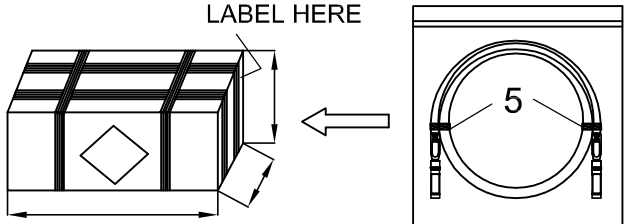


1.CABLE:  
CONDUCTOR:  
30 AWG SOLID SILVER PLATED COPPER.RF  
INSULATION:FOAM POLYOLEFIN.  
PAIR:2 SINGLES LAID FLAT AND PARALLEL.  
DRAIN WIRE:32AWG SOLID SILVER PLATED COPPER.  
PAIR SHIELD:ALUMINUM/POLYESTER TAPE.ALUMINUM SIDE FACING IN 25% OVERLAP. COLOR- BLUE.  
INNER SHIELD:ALUMINUM/POLYESTER TAPE,ALUMINUM SIDE PACING OUT,25% OVERLAP.  
OUTER SHIELD:38AWG TIN PLATED COPPER BRAID ,85% COVERAGE.  
JACKET: PVC OUTER DIA: 4.2±0.20mm NOMINAL. COLOR:BLACK.  
MARKING:" E164618 (UL) TYPE CL2 FT4 28AWG 75 °C --- AWM STYLE 20276 AWM I/II  
A/B 80°C 30V FT1 -LF- PCXX IEC60332-3-24 YYYY/MM/DD XXXXXXM  
Note: YYYY/MM/DD means year/month/date.  
XXXXXXM means continuous length.

DIFFERENTIAL IMPEDANCE:100±5 OHMS @TDR.  
UL LISTED: UL20276.  
2. CONNECTOR:  
P1&P2: SFP+ MODULE.  
<1> HOOD:ZINC DIE CASTING,NICKEL PLATING.  
<2> LATCH: PC RESIN 94 V-0,COLOR IN BLACK.  
<3> P.C.B: 4 LAYERS,FR4. 30μ" HARD GOLD ON CONTACTS.  
<4> EEPROM: 24C04.512BYTE.

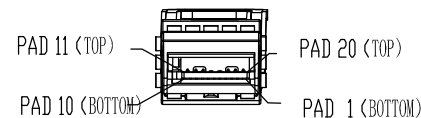
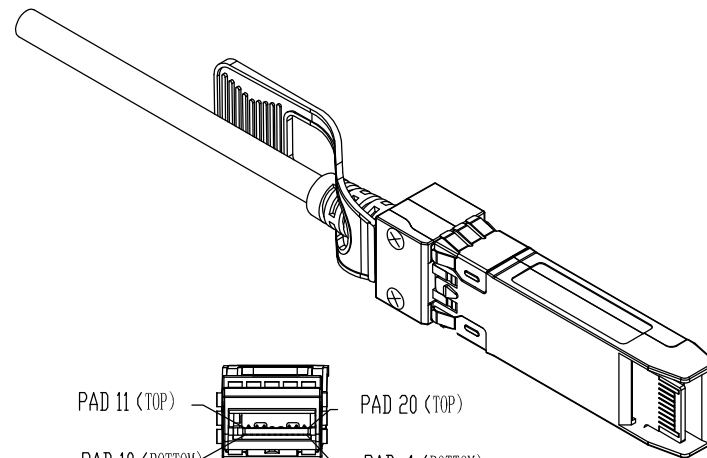
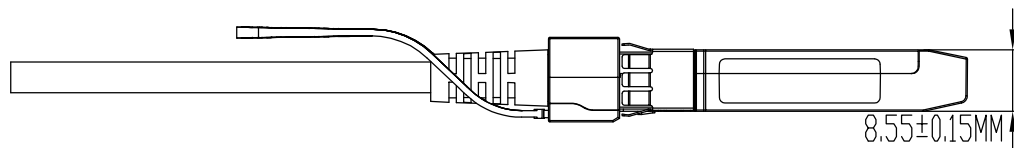
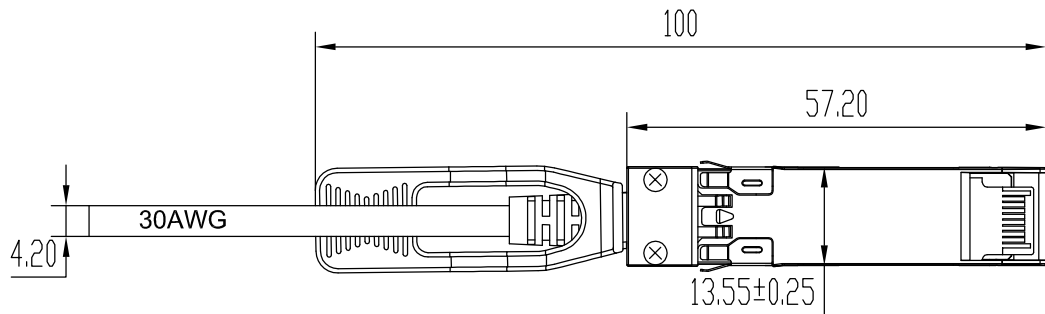
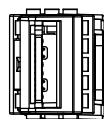
3. PULL TAB: COLOR:BLACK.  
4.PACKING  
1.EVERY PRODUCT PACKED IN ANTI-STATIC BAG.  
L≤ 3M,SIZE:0.06\*25\*30,L >3 M,SIZE:0.06\*30\*40.  
2. PACKED IN A 46\*30\*26CM CARTON.  
L=1M/2M/3M,USE ONE FOR EVERY 100 CARTON PACKING  
L=5M,USE ONE FOR EVERY 30 CARTON PACKING  
3. REMARKS: ALL MATERIALS OF THIS PRODUCT ARE IN LINE WITH ROHS.



MATERIALS:

ITEM	DESCRIPTION	QT'Y	UNIT
1	CABLE:UL20276 30AWG*1P+D+AL+M.Y)*2 P+AEB (10G) BLACK OD:4.2mm	1	PCS
2	CONN: SFP+ SHELL	2	SET
3	PCB: SFP+ PCB	2	PCS
4	COPPER FOIL:W*L=5*40MM	2	PCS
5	VELCRO:W*L=10*70MM	2	PCS

深圳市凯鸿创电子科技有限公司 SHEN ZHEN KHC Electronic Technology CO.,LTD				MATERIAL NO.: KHCSFP30XXXXX	
APPROVED		DESIGN	STONE	CUSTOMER NO.: 10GSFP_30AWG	
REVIEW		CHECK	ELLA		
SCALE	1:1	DATE	2019.08.08	DRAW NO.:	共2页 第1页



### WIRING DIAGRAM

P1 END			P2 END	
PAD	SIGNAL		PAD	SIGNAL
12	RD -	←	19	TD -
13	RD +	←	18	TD +
18	TD +	→	13	RD +
19	TD -	→	12	RD -

### LOW SPEED SIGNALS

SFP+	
PAD	SIGNAL
02	Tx_Fault
03	Tx_Disable
04	SDA
05	SCL
06	Mod_ABS
07	RS0
08	Rx_LOS
09	RS1
15	VccR
16	VccT

TABLE1 (10G\_SFP)

P/N	LENGTH	TOLERANCE
KHCSFP3000500	0.5 M	±30
KHCSFP3001000	1 M	±30
KHCSFP3001500	1.5 M	±30
KHCSFP3002000	2 M	±30
KHCSFP3003000	3 M	±50

### LABEL

Supplier: KAI HONG CHUANG

Supplier P/N: \_\_\_\_\_



Customer P/N: \_\_\_\_\_

P/O Number: \_\_\_\_\_

Quantity: \_\_\_\_\_

EX-factory Date: \_\_\_\_\_

Rohs:

 深圳市凯鸿创电子科技有限公司  
 SHEN ZHEN KHC Electronic Technology CO.,LTD

APPROVED		DESIGN	STONE
REVIEW		CHECK	ELLA
SCALE	1:1	DATE	2019.08.08

MATERIAL NO.: KHCSFP30XXXXX

CUSTOMER NO.: 10GSFP\_30AWG

DRAW NO.: