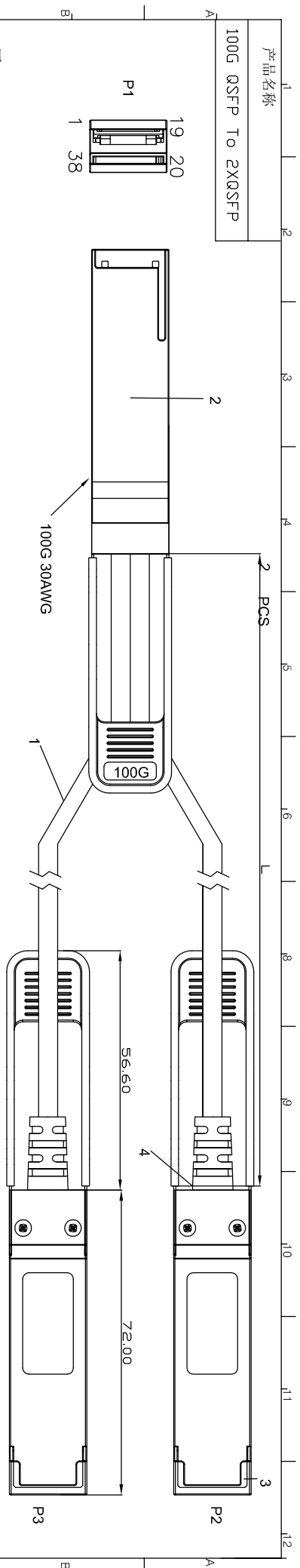


产品名称

100G QSFP To 2XQSFP



1. CABLE:
CONDUCTOR: 30 AWG SOLID SILVER PLATED COPPER.
INSULATION: FOAM POLYOLEFIN.
PAIR: 2 SINGLES LAID FLAT AND PARALLEL.
DRAIN WIRE: 30 AWG SOLID SILVER PLATED COPPER.
PAIR SHIELD: ALUMINUM/POLYESTER TAPE, ALUMINUM SIDE FACING IN, 25% OVERLAP.
INNER SHIELD: ALUMINUM/POLYESTER TAPE, ALUMINUM SIDE FACING OUT, 25% OVERLAP.
OUTER SHIELD: 38 AWG TIN PLATED COPPER BRAID, 85% COVERAGE.
JACKET: PVC OUTER DIA: 6.50±0.15mm NOMINAL. COLOR: BLACK.
DIFFERENTIAL IMPEDANCE: 100±5 OHMS @ TDR
UL LISTING: UL20276.

2. CONNECTOR:
P1, P2: 4X-PLUGGABLE-QSFP(SFF-8436)
(1) P.C.B: 6 LAYERS, M6 30μ" HARD GOLD ON CONTACTS.
(2) LATCH: STAINLESS STEEL WITH PULL TAB
(3) BACKSHELL- ZINC DIE CASTING HOOD/ NICKEL PLATING.
3. FOR INFIBAND DDR.
4. TWO-WIRE SERIAL EEPROM MEMORY: 24C02B, 256 BYTES.
DIGITAL MONITORING & PAGE SELECTING NOT SUPPORTED.

PACKING:
1. EVERY PRODUCT PACKED IN ANTI-STATIC BAG.
L: 3M, SIZE: 0.06*25*30L > 3 M, SIZE: 0.06*30*40.
2. PACKED IN A 46*30*26CM CARTON.

MATERIALS:

| ITEM | DESCRIPTION | QTY | UNIT |
|------|--|-----|------|
| 1 | UI 20276 (30AWG*1P+D+AL+M.Y)*2P+AEB (25G) BLACK OD:4.5mm | 1 | PCS |
| 2 | CONN: QSFP+ SHELL | 3 | SET |
| 3 | PCB: QSFP+ PCB | 3 | PCS |
| 4 | TAIL CARD BLACK | 2 | PCS |

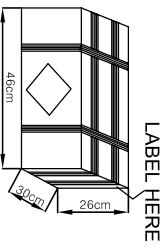
WIRING DIAGRAM(1,2AISLE)

| PAD | SIGNAL | SIGNAL | PAD | PLUG |
|-----|--------|--------|-----|------|
| 38 | GND | GND | 19 | P2 |
| 37 | TX1- | RX1- | 18 | |
| 36 | TX1+ | RX1+ | 17 | P3 |
| 35 | GND | GND | 16 | |
| 19 | GND | GND | 38 | P2 |
| 17 | RX1+ | TX1+ | 36 | |
| 18 | RX1- | TX1- | 37 | P3 |
| 16 | GND | GND | 35 | |
| 01 | GND | GND | 20 | P2 |
| 02 | TX2- | RX2- | 21 | |
| 03 | TX2+ | RX2+ | 22 | P3 |
| 04 | GND | GND | 23 | |
| 20 | GND | GND | 01 | P2 |
| 22 | RX2+ | TX2+ | 03 | |
| 21 | RX2- | TX2- | 02 | P3 |
| 23 | GND | GND | 04 | |
| 35 | GND | GND | 19 | P2 |
| 34 | TX3- | RX1- | 18 | |
| 33 | TX3+ | RX1+ | 17 | P3 |
| 32 | GND | GND | 16 | |
| 16 | GND | GND | 38 | P2 |
| 13 | GND | GND | 35 | |
| 14 | RX3+ | TX1+ | 36 | P3 |
| 15 | RX3- | TX1- | 37 | |
| 04 | GND | GND | 20 | P2 |
| 05 | TX4- | RX2- | 24 | |
| 06 | TX4+ | RX2+ | 25 | P3 |
| 07 | GND | GND | 23 | |
| 23 | GND | GND | 01 | P2 |
| 26 | RX4+ | TX2+ | 04 | |
| 25 | RX4- | TX2- | 03 | P3 |
| 24 | RX4- | TX2- | 02 | |

LOW SPEED SIGNALS
P1,P2&P3

| PAD | SIGNAL |
|-----|---------|
| 08 | ModSel |
| 09 | Resel |
| 10 | VccRx |
| 11 | SCL |
| 12 | SDA |
| 27 | ModPrsl |
| 28 | InL |
| 29 | VccTx |
| 30 | Vcc1 |
| 31 | LPMode |

| P/N | L |
|------------------|-----------|
| KHC_ZQX2Q3000500 | 500±30mm |
| KHC_ZQX2Q3001000 | 1000±30mm |
| KHC_ZQX2Q3001500 | 1500±30mm |
| KHC_ZQX2Q3002000 | 2000±50mm |
| KHC_ZQX2Q2803000 | 3000±50mm |
| KHC_ZQX2Q2805000 | 5000±80mm |



LABEL

Supplier: KAI HONG CHUANG

Supplier P/N: _____

Customer P/N: _____

P/O Number: _____

Quantity: _____

Ex-factory Date: _____

RoHS:

深圳市凯鸿创电子科技有限公司
SHEN ZHEN KHC Electronic Technology CO.,LTD

MATERIAL NO.:
KHCZQX2QSFP90XXXXX

APPROVED _____ DESIGN STONE

REVIEW _____ CHECK ELLA

SCALE 1:1 DATE 2018.08.15

CUSTOMER NO.:
100G1X2QSFP_30AWG